

# ir inner range

Encrypted High Security



**infiniti**   
CLASS 5

Customer Brochure 23  
Australia and New Zealand

**infiniti** 

What is

**CLASS** 







INDEPENDENTLY CERTIFIED

Inner Range is proud to state that we are the first electronic security manufacturer to gain independent Class 5 certification by the Australian Security Industry Association Limited (ASIAL).

Class 5 relates to the AS/NZS 2201.1:2007 standard. AS/NZS 2201.1 is the Australian and New Zealand standard for the design, installation, commissioning and maintenance of intruder alarm systems. Class 5 is the highest risk profile classification defined within this standard and Class 5 sites are typically found in government, military, financial and other high-security environments.

In this standard, the risk profile of an intruder alarm system is determined by conducting a risk assessment based on the likelihood, and consequences of, an attack. A Class 5 risk profile is proposed when:

- a. The consequences of the attack may be 'Catastrophic' regardless of the likelihood of an attack.
- b. The likelihood of an attack is 'Likely' or 'Very likely' and the consequences are 'Major' or 'Catastrophic'.

The Infiniti Class 5 hardware is certified for use in Class 5 compliant installations when installed, commissioned and maintained in accordance with this standard and the Infiniti Class 5 documentation.





## **infiniti** **CLASS 5**

The Infiniti Class 5 system consists of a suite of products which, together provide all the elements necessary to meet the stringent requirements set out by the AS/NZS 2201.1:2007 Class 5 standard. The Infiniti Class 5 range of products includes Controllers, Input Expansion Modules, End of Line Modules, Keypads, Card Readers, Power Supplies, Equipment Enclosures, Alarm Transmission devices and equipment power isolation kits.

The system's modular design provides scope for expansion whilst also boasting a hybrid architecture. The hybrid architecture supports both high-security Class 5 zones and lower-security areas at the same facility at the same time. By ensuring that budget allocations are made for Class 5 zones only where necessary, the end result is a single, holistic and affordable security solution for the entire organisation.

Expansion of the Infiniti Class 5 system is achieved by installing additional encrypted modules to the Class 5 Controller's RS-485 LAN, or adding additional Controllers to the system. The entire platform, including multiple Controllers can be managed from the Infiniti Enterprise software.

### **Infiniti Class 5 Controller Capacity:**

- Encrypted RS-485 LAN Module Limit – 32
- Encrypted Inputs – 248\*
- Standard Inputs – 992\*
- Security Areas – 250
- Doors – 248\*
- SIFER Card Readers – 496\*
- Users – 100,000 (Expandable to 1 million)
- Event Database – 100,000

*\* Max quantity shown is per controller and assumes all 32 LAN modules will be of the same type.*

### **Encrypted LAN Modules Supported:**

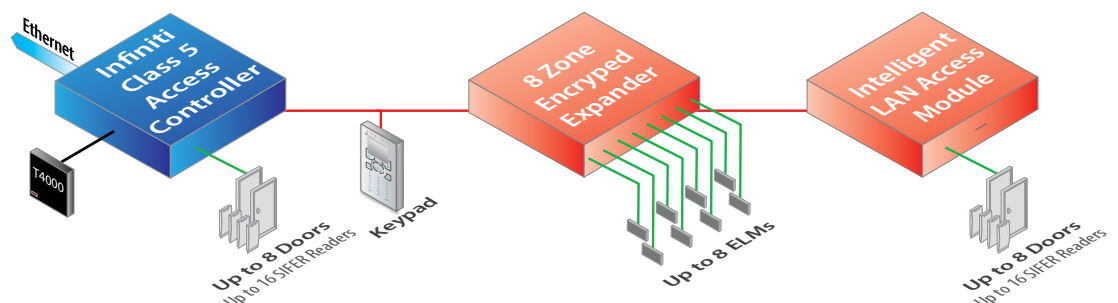
- Infiniti Class 5 8-Zone Encrypted Expander
- Infiniti Class 5 EliteX Keypad/Terminal
- Infiniti Class 5 PrismaX Keypad/Terminal
- Infiniti/Integriti Standard 8 Zone Expander (Expandable to 32 Zones)
- Infiniti/Integriti Standard LAN Access Module (SLAM – 2 Doors)
- Infiniti/Integriti Intelligent LAN Access Module (ILAM – 2 Doors, Expandable to 8)
- SIFER Card Readers





## System Features

### Full End to End Encryption



### LAN Communications

Infiniti Class 5 is a modular system that effortlessly scales with the addition of RS-485 LAN modules. Communications between the Controller, Expanders, Keypads, SIFER Card Reader (including fob/card credentials) are all encrypted to AES 128-bit with MAC authentication. Data encryption ensures secure LAN communications at all times, while the programmable supervisory polling system continuously monitors the LAN to detect cable tamper, cable fault conditions, module off-line and module substitution. The efficient data format used has been developed to ensure fast, secure and reliable communications regardless of the size of the system.

### End of Line Modules

End of Line Modules (ELMs) are designed to be installed within, or adjacent to a detection device such as a PIR or Reed sensor switch. In conjunction with the Infiniti Class 5 encrypted expander, ELMs provide an encrypted data communications link between the detector and the control equipment. During normal operation Infiniti's supervisory polling system continuously monitors ELMs to detect any communication failure, device substitution or tamper conditions.

### Alarm Communications

The Infiniti Class 5 system is equipped with the award winning Multipath-IP T4000 Security Communicator. The T4000 provides high security and polled connection to the monitoring station for alarm reporting. All communications are encrypted to AES 128-bit and polling intervals can be as frequent as 10 seconds. Should a poll fail to be delivered within the allocated time, the T4000 intelligently tries to re-establish connection and, if available, will attempt to route the connection through another gateway, i.e. switching from on-site Internet to GPRS. If a failed connection cannot be re-established within a pre-determined time an alarm will be raised within the monitoring station. Multipath-IP T4000 has been independently certified to Australian standard AS2201.5 Class 5.

### Integrated Access Control

In addition to a high security alarm system, the Infiniti Class 5 platform boasts an integrated access control platform. At the heart of Infiniti Class 5 lies the Infiniti Access Controller (IAC). The IAC is an IP-based enterprise Access Controller which supports two doors and up to four readers on-board. A further 246 doors and additional readers can be added via UniBus and LAN expansion modules. Inner Range SIFER Card Readers can be used with the IAC to ensure compliance with AS/NZS 2201.1:2007 Class 5. The SIFER Card Reader is a multi-drop RS-485 based reader that employs AES 128-bit encryption from the card through to the door module, providing a far superior level of security than that of traditional Wiegand based card readers. SIFER readers utilise the Mifare DESfire EV2 card format.



## System Hardware

### Infiniti Class 5 Controller Kit

Part 996140AUC5

Part 996154KC5 - Spare Site Specific Key for Enclosure

The Infiniti Class 5 Controller kit is the core component of the Infiniti Class 5 system. The Controller kit consists of the following elements each of which is pre-installed within the Class 5 system enclosure:

- Infiniti Class 5 Access Controller (IAC)
  - 8 Input Encrypted Expander
  - 4 x End of Line Modules (ELMs)
  - 8Amp SMART Power Supply
  - Infiniti Class 5 EliteX Keypad
  - T4000 Security Communicator
  - 8 way Mini LAN Hub
  - Site specific Restricted High Security enclosure lock with 2 Keys
  - Class 5 WideBody Enclosure with seismic/vibration detector and.
- (Supplied with standard mains power lead for connection to a standard GPO)



### Infiniti Class 5 IAC Controller

Part 996140PCB&K

The Infiniti Access Controller (IAC) is an IP-based enterprise Access Controller which functions as the host Controller for the Class 5 system. The IAC's built in access control functionality also allows monitoring and control of doors.

- Infiniti Class 5 host Controller
- Supports up to 32 modules on RS-485 encrypted expansion LAN
- Support for 2 doors and up to 4 SIFER readers on-board
- Expandable to 8 doors/16 SIFER readers via UniBus devices
- Expandable to 248 doors/496 SIFER readers via LAN & UniBus devices
- Support for 100,000 user database (Expandable to 1 Million)



*For full technical details on the products featured on this page please refer to the products data sheets or installation manuals.*

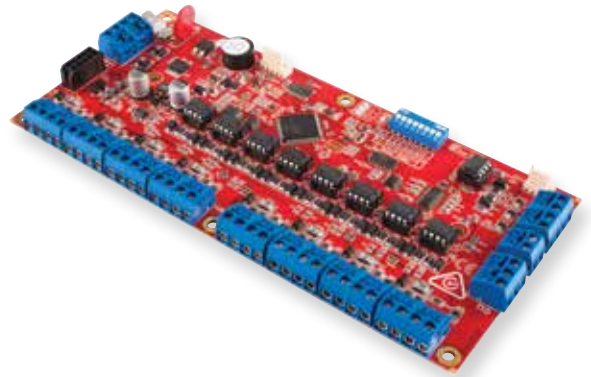




## Infiniti Class 5 Encrypted Expander Module

Part 996105PCB&K

The Infiniti Class 5 Encrypted Expander Module provides 8 separate ELM Zone inputs, Tamper & Seismic/Vibration Sensor inputs and 2 Siren Driver outputs. The Expander is supplied as a PCB and Installation Kit for installation into an Infiniti Class 5 enclosure or other compatible Integriti enclosures if not used in a Class 5 installation.



- RS-485 Encrypted LAN Module
- 8 x Separate High Security Zone Inputs (Used with ELMs)
- 2 x Siren Driver Outputs
- Tamper Input
- Seismic/Vibration Sensor Input
- The Expander should be powered using an 8 or 10 Amp SMART PSU

## Infiniti Class 5 End of Line Module Pack

Part 996106 Pack of 4

Part 996106S Pack of 1

ELMs are used in conjunction with the Encrypted Expander Module and provide a fully monitored, encrypted and authenticated data communications link between end of line detection devices such as PIR's and Reed switches and the Encrypted Expander. Each ELM will also support multiple states (up to 8 states) on the Alarm Input. These can provide separate alarm statuses for the likes of Anti-Masking alarms on motion detectors or environmental alarms on PE Beams etc. without requiring a separate ELM for this purpose. The ELM has an Open Collector termination that can be used for control purposes, such as PIR LED control, input testing etc.

Pack contents:

- Size 35(L) x 18(W) x 9.5(D) mm
- 1 x Alarm Input Connection
- 1 x Tamper Input Connection
- 1 x Output Connection - Open Collector - 50mA
- 1 x Data Connection for Link to Encrypted Expander
- Supports Multiple Alarm States (up to 8 states)





## System Hardware

### Infiniti Class 5 EliteX Keypad

Part 996101C5

Part 994721PCB&K SIFER Reader add-on kit for 996101C5

The Infiniti Class 5 EliteX Keypad is a simple and robust interface into the Infiniti Class 5 system. Supporting Infiniti Class 5 AES 128-bit encryption the EliteX Keypads iconic menu navigation is quick and responsive. The plain-text display is easy to read and the back-lit OLED display and back-lit keys make it a versatile solution for many organisations.

A SIFER Reader add-on kit is also available for the EliteX keypad. This allows users to simply place their access card across EliteX's numeric keypad to access an associated door, logon to the Keypad or as the card credential for "Card + PIN" access control.



### Infiniti Class 5 PrismaX Keypad

Part 996111C5

Part 994721PCB&K SIFER Reader add-on kit for 996111C5

Sharing the same attractive design style as the Class 5 EliteX, the Infiniti Class 5 PrismaX Keypad provides a stylish and simple keypad to control the Infiniti Class 5 system. Supporting Infiniti Class 5 AES 128-bit encryption, the PrismaX Keypad features a full colour LCD screen with large clear text and icon-driven menus. End users can perform simple functions such as arming and disarming areas, isolating zones, walk testing and reviewing event history, all accessible via the full colour graphic display.

**Please note:** The PrismaX Keypad is designed as an end user interface for the Infiniti Class 5 system and as such only the end user related menus are supported. Where access to installation and commissioning menus is required the Class 5 EliteX Keypad must be used.

A SIFER Reader add-on kit is also available for the PrismaX keypad. This allows users to simply place their access card across PrismaX's numeric keypad to access an associated door, logon to the Keypad or as the card credential for "Card + PIN" access control.



*For full technical details on the products featured on this page please refer to the products data sheets or installation manuals.*





## Infiniti Class 5 Enclosure

Part 996154AUC5

Part 996154KC5 - Site Specific Key for Enclosure

The Infiniti Class 5 enclosure is a low profile metal enclosure equipped with power supply, seismic/vibration sensor and a site specific restricted high security key locking system.

Components include:

- Infiniti WideBody Enclosure - Size 595(L) x 512(W) x 95(D) mm
- 8Amp SMART Power Supply
- Seismic/Vibration Sensor
- Equipment Mounting Plate
- Site Specific Restricted High Security Enclosure Lock  
(keys are not included and must be ordered separately)



## Mains Power Isolation Switch Kit

Part 996180

The Infiniti Class 5 Mains Power Isolation Switch kit should be fitted into the Infiniti Class 5 enclosure where an internal mains power isolation switch is required. The kit also allows a dedicated mains power circuit to be routed into the enclosure. The kit includes all parts required for the isolation switch and side or rear 20mm conduit entry.

Kit contents:

- Mains Isolation Switch
- Isolation Switch Mounting Block & Screws
- 32mm Conduit Entry Gland (suits 20mm conduit)
- Side Entry Plate to Suit 32mm Conduit Gland
- Side Entry Power Lead with IEC Plug





## System Software

### Infiniti Software

Part 997901 - Infiniti Professional Software (Product Key)

Part 99790B - Infiniti Business Software (Product Key)

Part 99790C - Infiniti Corporate Software (Product Key)

The Infiniti Software Suite is a true cutting-edge solution. Featuring the very latest technologies, Infiniti has been designed with an innovative and user-friendly design as its core focus. Infiniti offers everything your customer will need for complete system management.

Infiniti includes two applications:

- Infiniti GateKeeper for everyday card-holder programming and monitoring and control of the system.
- Infiniti System Designer for full system programming and configuration.

### Infiniti Express Software

Part 997905 (Product Key)

The Express edition is the entry-level software solution. With features such as User/Cardholder Management, Basic reporting and Forensic Audit trail, Express is designed for small sites with a single Infiniti Controller and up to 16 doors of access control.







## Software Components

### Infiniti Software Additional Features

Additional software features and enterprise level software solutions are also available as part of the Infiniti Software Suite. For further details on these options please contact Inner Range.

### Infiniti Software Options Index

- 997901 - Infiniti Professional Software Product Key
- 997901B - Infiniti Business Software Product Key
- 997901C - Infiniti Corporate Software Product Key
- 997906 - Infiniti Mimic Viewer Software Product Key
- 997940 - Additional Door
- 997907 - Inner Range Muster Point Connection
- 997926 - Smartphone-Server Interface
- 997921 - CCTV Integration – Extra 8 Cameras (Business only)
- 997931 - Event Review I/O Communications
- 997928 - Real-Time Location System (RTLs) Integration
- 997932 - Intercom Integration
- 997934 - KeyLocker Integration
- 997935 - Visitor Management Integration
- 997969 - Biometric Management Integration
- 997970 - Infiniti Managed Biometric Reader (per Reader)
- 997939 - Milestone XProtect Access Control Manager (ACM) Integration
- 997964 - Mobile Credential Management
- 997933 - Elevator Management System HLI
- 997956 - Active User Rotation Module (AURM)
- 997965 - High Availability Multi-Server Activation (HA)
- 997950 - XML READ – 3rd Party Interface (Technology Partners Only)
- 997951 - XML WRITE – 3rd Party Interface (Technology Partners Only)
- 997952 - XML CONTROL – 3rd Party Interface (Technology Partners Only)



Inner Range Pty Ltd

📍 1 Millennium Court Knoxfield, Victoria, 3180, Australia

☎️ T +61 3 9780 4300 📠 F +61 3 9753 3499

✉️ [infiniti@innerrange.com](mailto:infiniti@innerrange.com) 🌐 [www.innerrange.com](http://www.innerrange.com)